

FI Rigid 4x2 SPECIFICATIONS

Model	FIV1PFX1R	FIV1PHX1R
Crew	3 (1+2)	
DIMENSIONS mm		
Wheelbase (A)	3,760	4,250
Overall length (B)	6,260	7,465
Overall width (C)	2,135	2,135
Overall height, approx. (D)	2,495	2,495
Tread front (E)	1,790	1,790
Tread rear	1,695	1,695
WEIGHTS kg		
Kerb weight *	3,820	3,860
Max. GVW	11,990	11,990
CALCULATED PERFORMANCE		
Max. speed km/h	103	
Max. gradeability (tan θ)%	29.6	
ENGINE		
Model	4D37, 3.907-liter, 4-valve per Cyl.	
Type	4-stroke cycle, water cooled direct injection, turbocharged diesel engine	
Max. output	100kW/2,500rpm	
Max. torque	420Nm/1,500rpm	
Alternator	24V/50A	
DRIVE LINE		
Clutch	Single dry plate, diaphragm spring, hydraulic control with air assisted booster	
Transmission	6-speed manual transmission	
gear ratios	6.696-3.806-2.289-1.480-1.000-0.728-Rev: 6.294	
Final reduction gear ratio	Full floating type single reduction, hypoid 6.33	
CHASSIS		
Axle capacity kg front	4,500	3,990
Axle capacity kg rear	7,490	8,000
Tire front	Single, 8.25-20-16PR	
Tire rear	Dual, 8.25-20-16PR	
Suspension	Semi-elliptic, laminated leaf springs	
Brake service	Full air, S-cam, dual circuit	
Brake parking	Spring actuated, pneumatically operated with hand brake valve	
Brake exhaust	Standard	
Fuel tank capacity	160L/200L (Option)	
Electrical system – batteries	2x12V, 75Ah	

* Complete Cab chassis vehicle (without driver & rear body) with: ●Coolant ●Fuel tank filled with fuel of 90% of its capacity ●Spare wheel ●Standard tool kit ●Chocks
●All liquids to ensure correct functioning of vehicle ●Warning triangle (if provided) ●Jack & jack rod

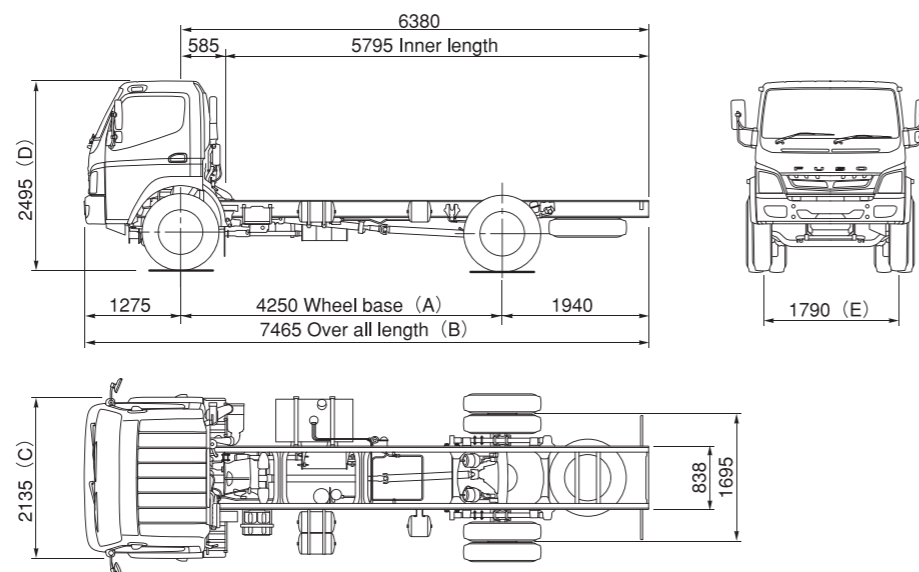
COLOR VARIATION

Standard	Arctic White
Option	Portside Blue
	Bright Red
	Yellow
	Coral Orange

OPTIONS

- Transmission Power Take-Off (PTO)
- Air Conditioning
- Rear body-Rigid High Side Deck (14.5ft & 19ft)
- Rear body-Rigid Fixed Side Deck (14.5ft & 19ft)

DRAWINGS (FIV1PHX1R) (mm)



FI



MITSUBISHI FUSO TRUCK & BUS CORPORATION

www.mitsubishi-fuso.com

All for you

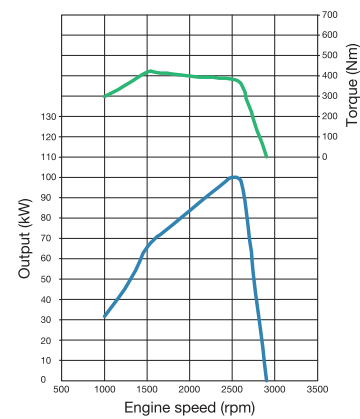
FUSO

MITSUBISHI FUSO TRUCK & BUS CORPORATION

Sure-footed and Equipped to Maximize Your Profit



4D37
DIESEL 3.907L
100kW/2,500rpm
420Nm/1,500rpm



Fuel-efficient Common Rail Engine

The fuel-efficient, common rail, direct injection engine with four valves per cylinder is designed to deliver ample power and torque while lowering operating costs.



Smooth, Durable Six-speed Transmission

The six-speed (6F, 1R) overdrive transmission combines multiple synchronizer rings and a cable type shift mechanism to make shifting smoother and easier. The large diameter clutch plate and organic clutch material increase durability.



Aerodynamic Cab Design

Aerodynamic design reduces wind resistance and lowers fuel cost. It also reduces noise and keeps the cabin quieter.



Intelligent Instrument Cluster

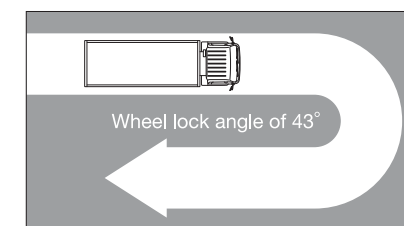
The LED panel makes vital information more visible, and a buzzer will sound if the engine overheats.

The Trip Mileage Indicator makes it easy to monitor distance traveled, average speed and fuel consumed.



A Great Place to Work

Fully adjustable seats. A tilt-and-telescoping steering wheel. Lined roof and side trim. Added to the smooth-shifting transmission, they reduce driver fatigue and increase productivity.



In All of the Twists and Turns

The short turning radius makes it easier to drive on narrow or winding streets.



Handling Heavy Loads with Ease

Rear suspensions with more and thicker leaves enhance both load capacity and durability. The banjo-type rear axle has been strengthened with a larger crown wheel and larger diameter shaft.

A More Reliable Frame for Maximum Profitability

In this chassis, thicker, full-depth long members add extra toughness to the frame. Shot-peening and powder-coating increase surface strength and resistance to corrosion.