

FA / FI



FUSO



Built for Maximum Profitability

- Lower operating cost, maximizes profitability
- Versatile, high-performance engines are more fuel-efficient
- Aerodynamic cab design saves fuel and reduces cabin noise
- Tough, durable chassis and suspension allow heavier loads
- Smooth-shifting transmission and intelligent instrument panel enhance drivability
- Safe, comfortable cabins with plenty of convenient storage space
- Longer service intervals and service you can count on
- Outstanding climbing and maneuverability enhance utility

Actual vehicle may differ slightly from pictures shown.

Delivering Profit with Greater Agility

More fuel-efficient, electronically-controlled Common Rail engine

Aerodynamic cab design saves fuel.

Smooth-shifting 6-speed overdrive transmission reduces driver fatigue.

Short turning radius for outstanding maneuverability

Spacious and safe cabin offers more comfortable trip.



Delivering Profit on Every Site

Higher horsepower engine for added muscle

Superior gradeability with full load

Extra heavy duty rear suspension and rear axle for heavier loads

Standard front and rear anti-roll bars enhance stability.

Transmission power take-off (PTO) is standard.



The Power You Need, the Durability You Count On



Engines of Profitability

The fuel-efficient, common rail, direct injection engine with four valves per cylinder is designed to deliver ample power and torque while lowering operating costs.

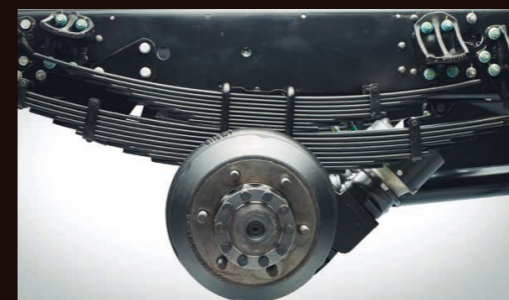


Smoothing the Way to Business Success

FA/FI trucks are equipped with 6-speed transmissions designed for smoother operation, to reduce driver fatigue and improve turn-around time.

With a Solid Foundation for Business Growth

The frame members in the chassis are not only deeper and thicker. They are shot-peened and powder-coated for greater surface strength and resistance to corrosion.

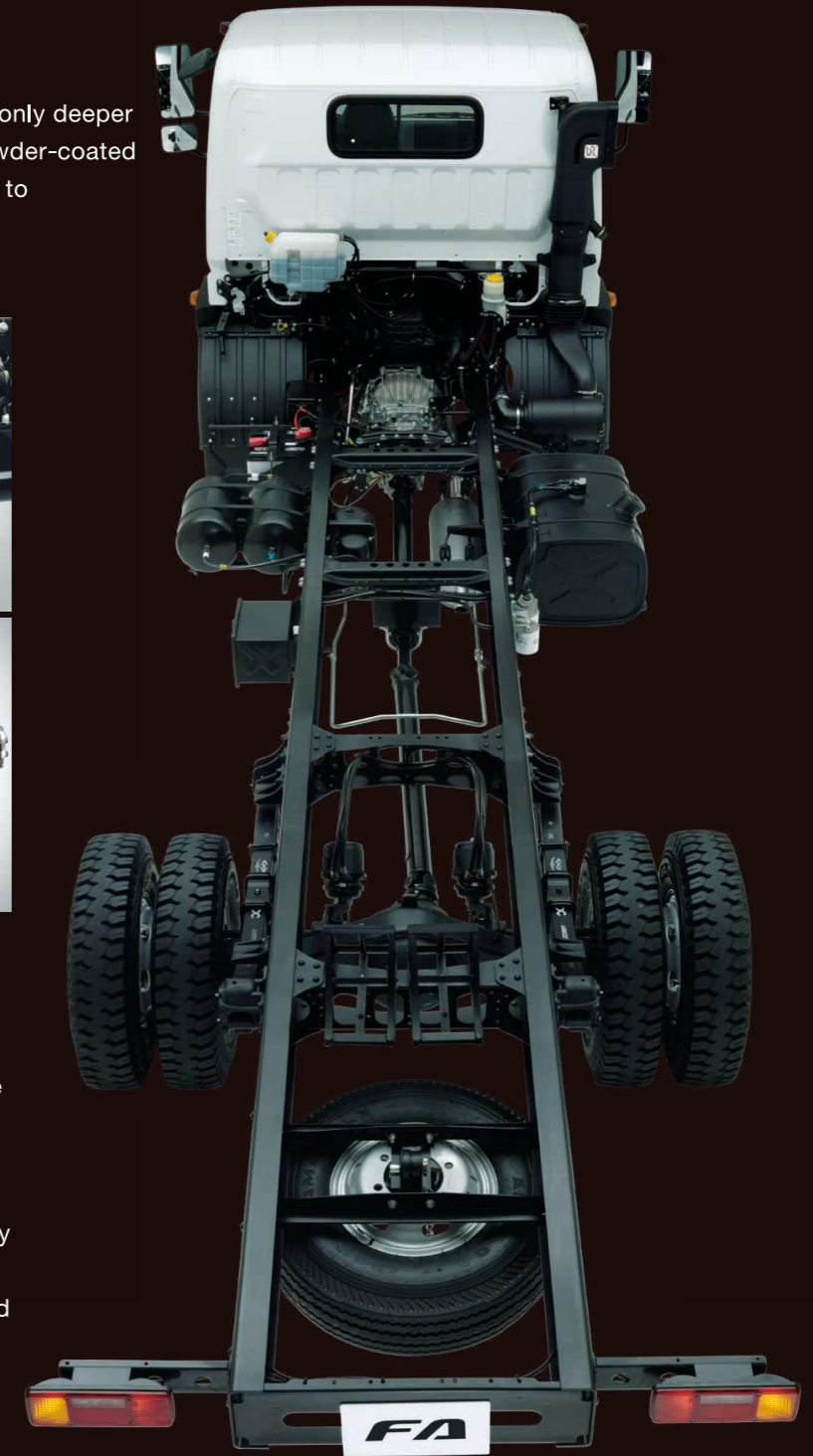


Able to Carry Bigger Loads

Rear suspensions with a taller stack of laminated leaf springs enhance load capacity, while thicker leaves also increase durability.

Stronger Where It Counts

To further increase load capacity, the heavy duty banjo-type rear axle has been strengthened with a larger crown wheel and larger diameter shaft.

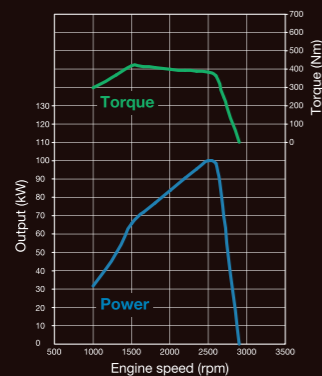


4D37

DIESEL 3.907L

100kW
/2,500rpm

420Nm
/1,500rpm

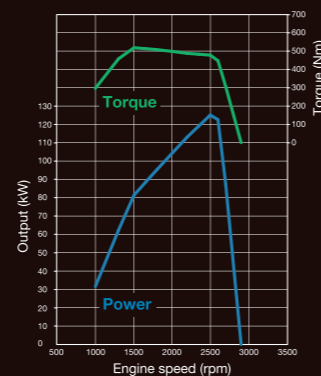


4D37

DIESEL 3.907L

125kW
/2,500rpm

520Nm
/1,500rpm



Greater Comfort Equals Greater Productivity



A More Comfortable Cabin

A tilt-and-telescoping steering wheel at just the right distance and height. A fully adjustable seat set to an optimum posture. A smoother shifting gear shift. They all contribute to reducing driver fatigue and making drivers more productive.

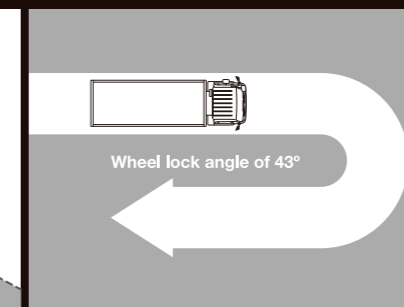
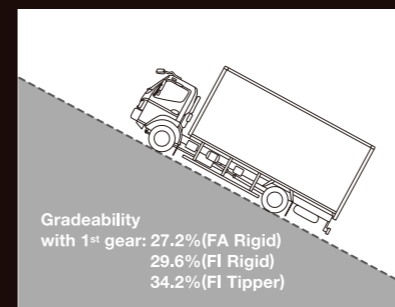


Optional air conditioning helps drivers stay cool at the wheel.



Vital Information at a Glance

The LED in the center of the intelligent instrument cluster makes all vital information available at a glance. A buzzer sounds if the engine overheats. The trip mileage indicator contributes to more efficient driving.



More Nimble, More Agile

Climb a steep slope? Turn in a restricted space? FA/FI trucks climbing ability and short turning radius accelerate turnaround time as well as making them easier to drive.



Good Aerodynamics are More Than Style

Aerodynamic styling isn't just more fuel-efficient. Reducing wind noise, it keeps the cabin quieter and more comfortable, too.



Goodbye to Clutter

FA/FI trucks provide drivers with a wealth of storage alternatives, in the center console, glove compartment, and overhead.

A Safer Way to Grow Your Business



Keeping Your Business on a Stable Footing

Anti-roll bars and a heavy-duty rear axle increase stability when the load's center of gravity is high. Front and rear anti-roll bars are standard on Tipper models.



Braking You Can Count On

An exhaust brake is standard on both FA and FI models. The air brakes wider, thicker brake linings ensure quicker, smoother stops. They also require less frequent maintenance.

Exhaust brake located on the combination switch



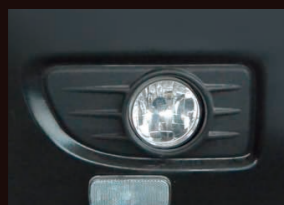
Front Proximity Mirror

Mounted on roof. Improves handling by showing driver what is directly below the front of the truck.



Kerb View Mirror

Mounted on upper part of passenger side door. Improved visibility enhances safety.



Fog Lamps

Increased visibility improves driving safety in dense fog or heavy rain.



Protecting Driver and Crew

The all-steel crash safety cab and rigid, heavy duty frame protect the driver and passengers in case of accident. The side impact bars built into the doors add extra protection.



Every Component is Proven Technology

Every component is proven technology that has survived over 11 million kilometers on the test track and been proven in use worldwide.



The Reliable Service You Need

Service combining state-of-the-art digital technology with highly trained mechanics is available from your FUSO dealer.



Every Truck Must Pass Through All Quality Gates

FUSO trucks are built at a state-of-the-art manufacturing facility, which also trains our service personnel. They are rigorously inspected at every step of the manufacturing process.

All for you

At FUSO we design and build trucks to maximize our customers' profitability. We build them strong and reliable, to need less frequent maintenance. We build them fuel-efficient, to lower running costs. We build them safer and more comfortable, to minimize driver fatigue. Everything that we build into them is designed to lower your total cost of operation and maximize your profits. It's a virtuous cycle: By making your business more profitable, we grow our business, too. It's all for you.



Trusted
Quality

Economic
Efficiency

Solid & Functional
Design

Committed
Service

Wide
Choice



Actual vehicle may differ slightly from pictures shown.

